

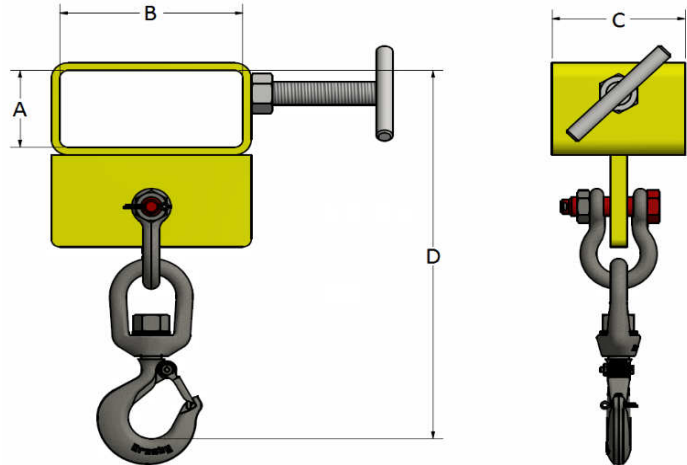
# Model LHC

## Fork Lift Cuffs

-Fork Lift Hook Fuccs converts a fork lift truck into a maintenance-free low cost overhead with a single swivel hook pick point per hook.

-Threaded T-bolt to keep cuff secure on forks

-Each lifter is proof tested exceeding ANSI/ASME B30.20 standards and a test certificate is issued. LHB's are painted safety yellow and clearly marked on both sides with rated capacity to conform to OSHA standards.



Model Number	Capacity Per Pair	Fork Tube Height	Fork Tube Width	Total Height	Cuff Length	Shackle Rating	Hook Rating	Approx. Unit Weight (lb.)
		A (in)	B (in)	D (in)	C (in)			
LHC4	3,000	2-1/2	4-1/2	12	4	2t	1-1/2t	10
LHC5	3,000	2-1/2	5-1/2	12	4	2t	1-1/2t	12
LHC7	3,000	2-1/2	7-1/2	12	4	2t	1-1/2t	13
LHC8	3,000	4-1/2	8-1/2	14	4	2t	1-1/2t	15

- Notes:
1. Please verify that the fork tube sizes will fit fork lift.
  2. Other capacities and dimensions available upon request.



PHONE 855.800.9568 - FAX 716-667-6837

EMAIL: [webinfo@eltlift.com](mailto:webinfo@eltlift.com)

WEB: [www.eltlift.com](http://www.eltlift.com)

PLEASE NOTE: WEIGHT AND DIMENSIONS CAN VARY AND ARE APPROXIMATE AND FOR REFERENCE ONLY. SPECIFIC WEIGHT CAN NOT BE DETERMINED UNTIL THE UNIT IS FABRICATED.